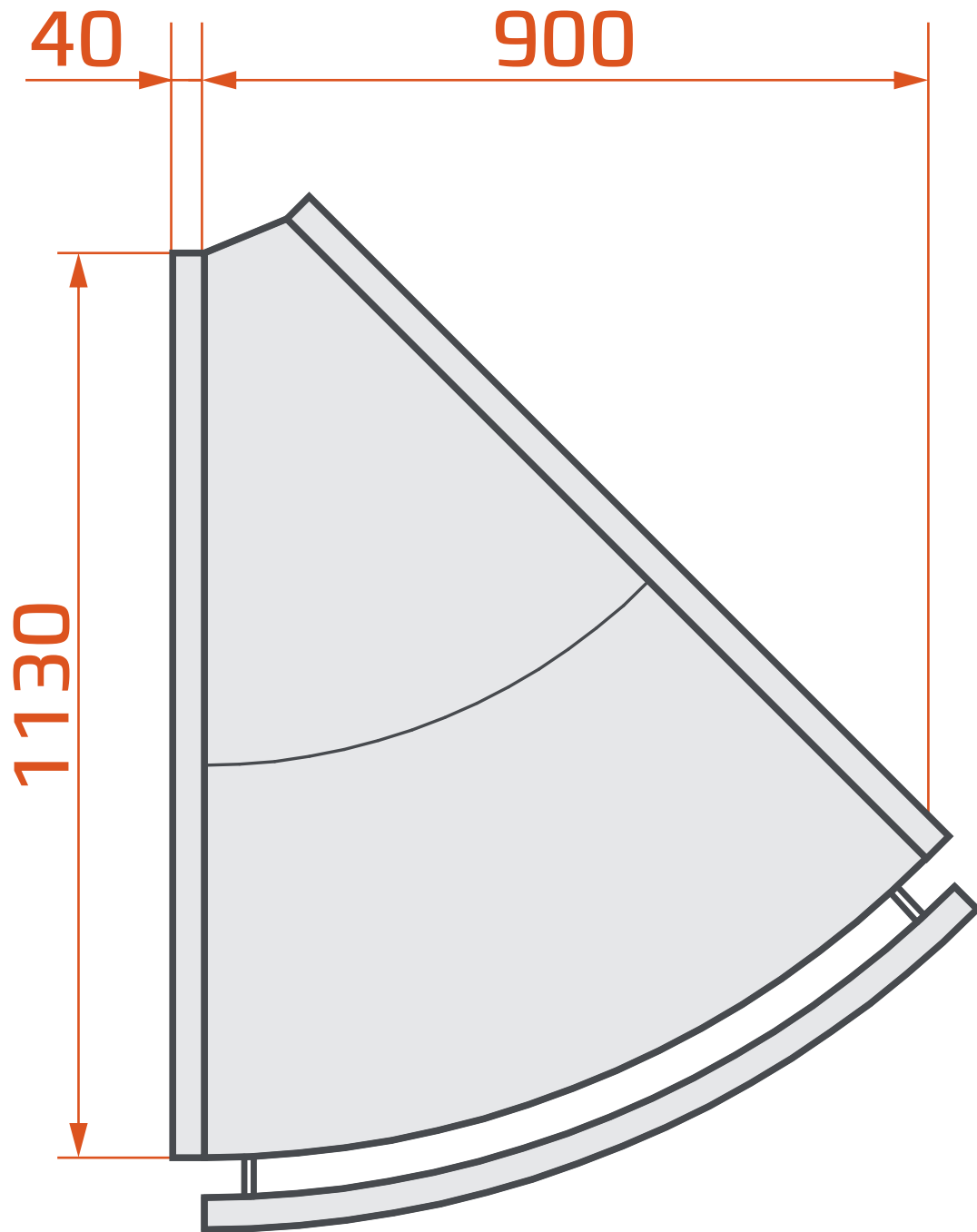
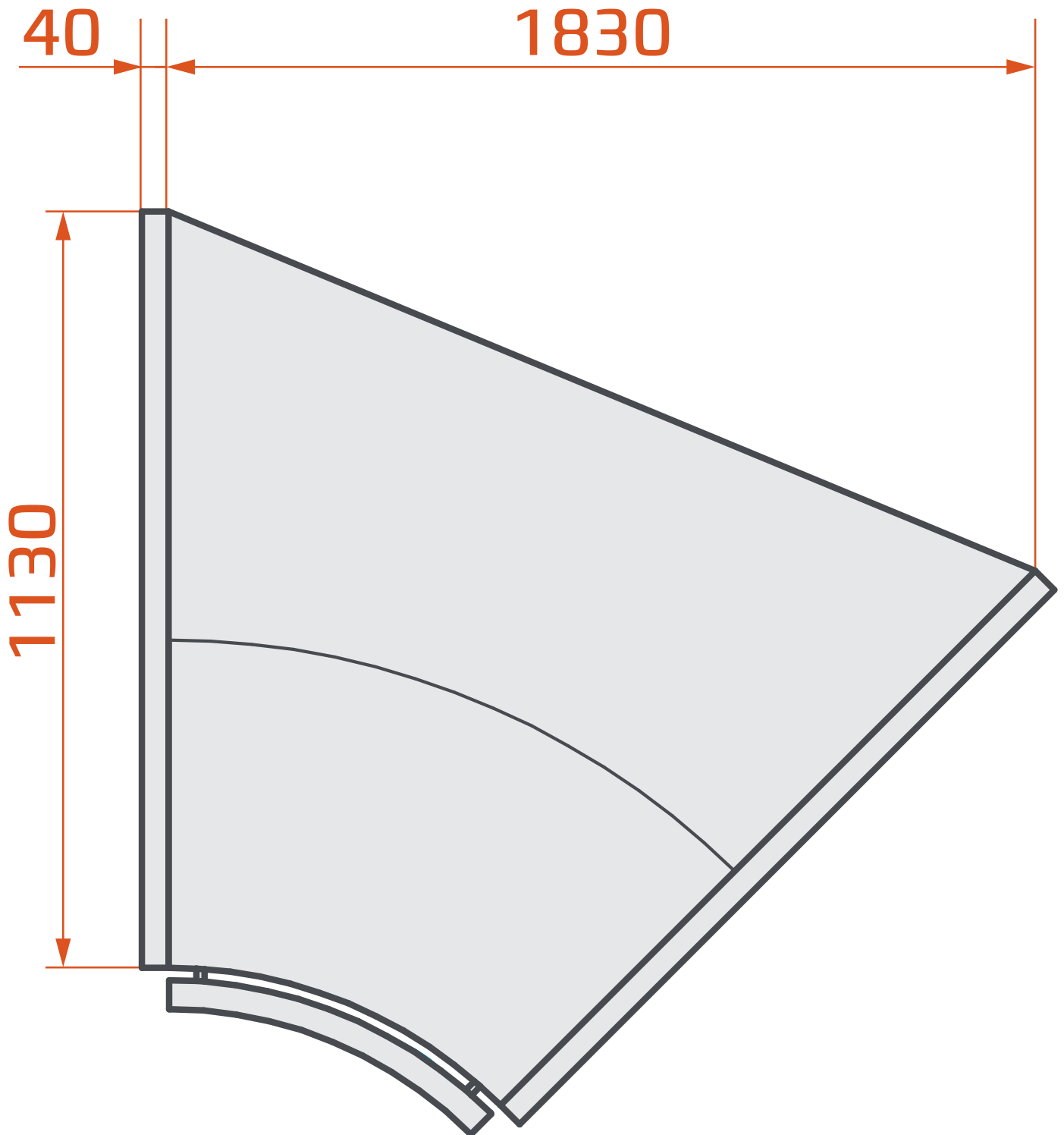


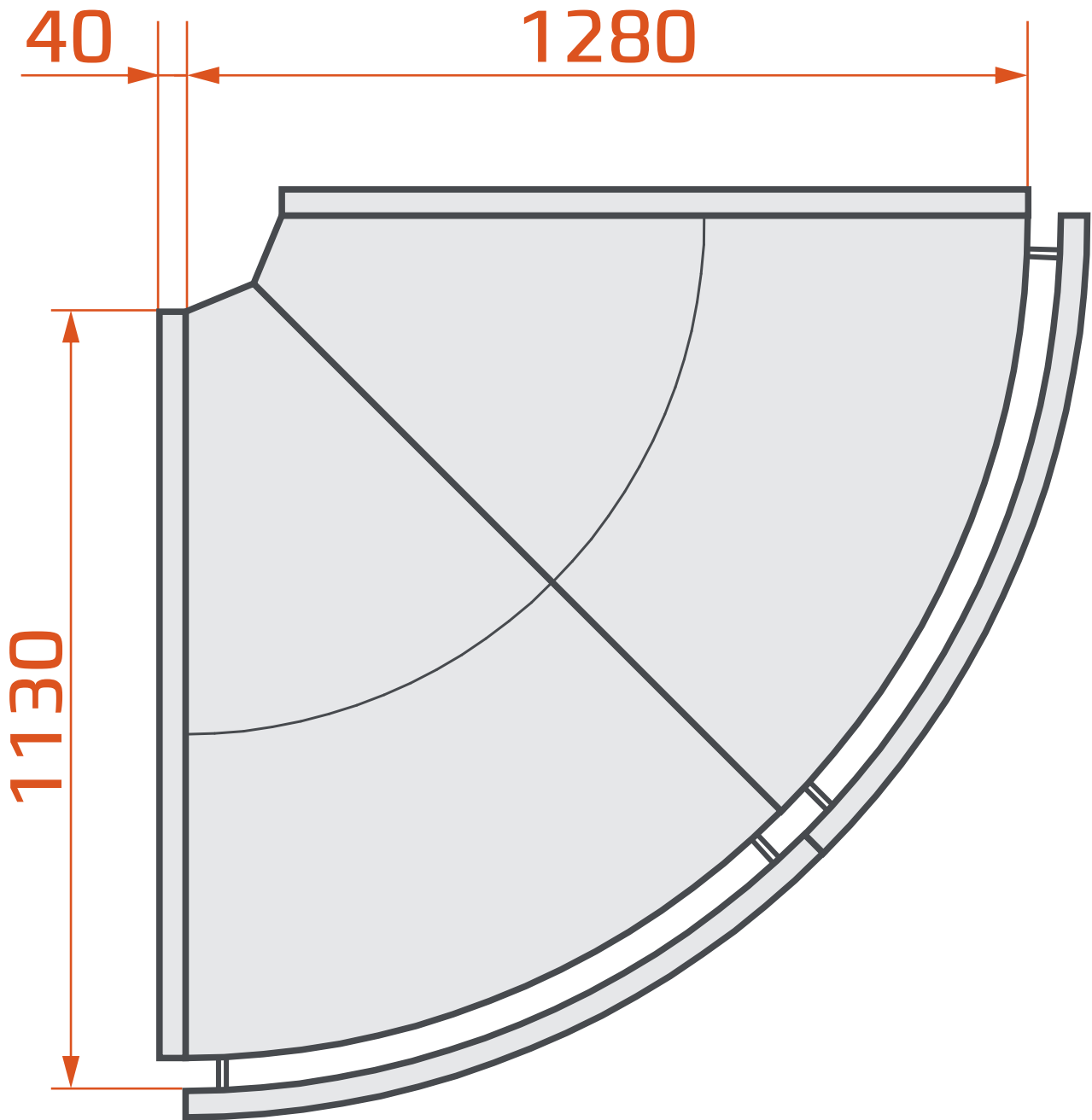
LCT TUCANA SPH



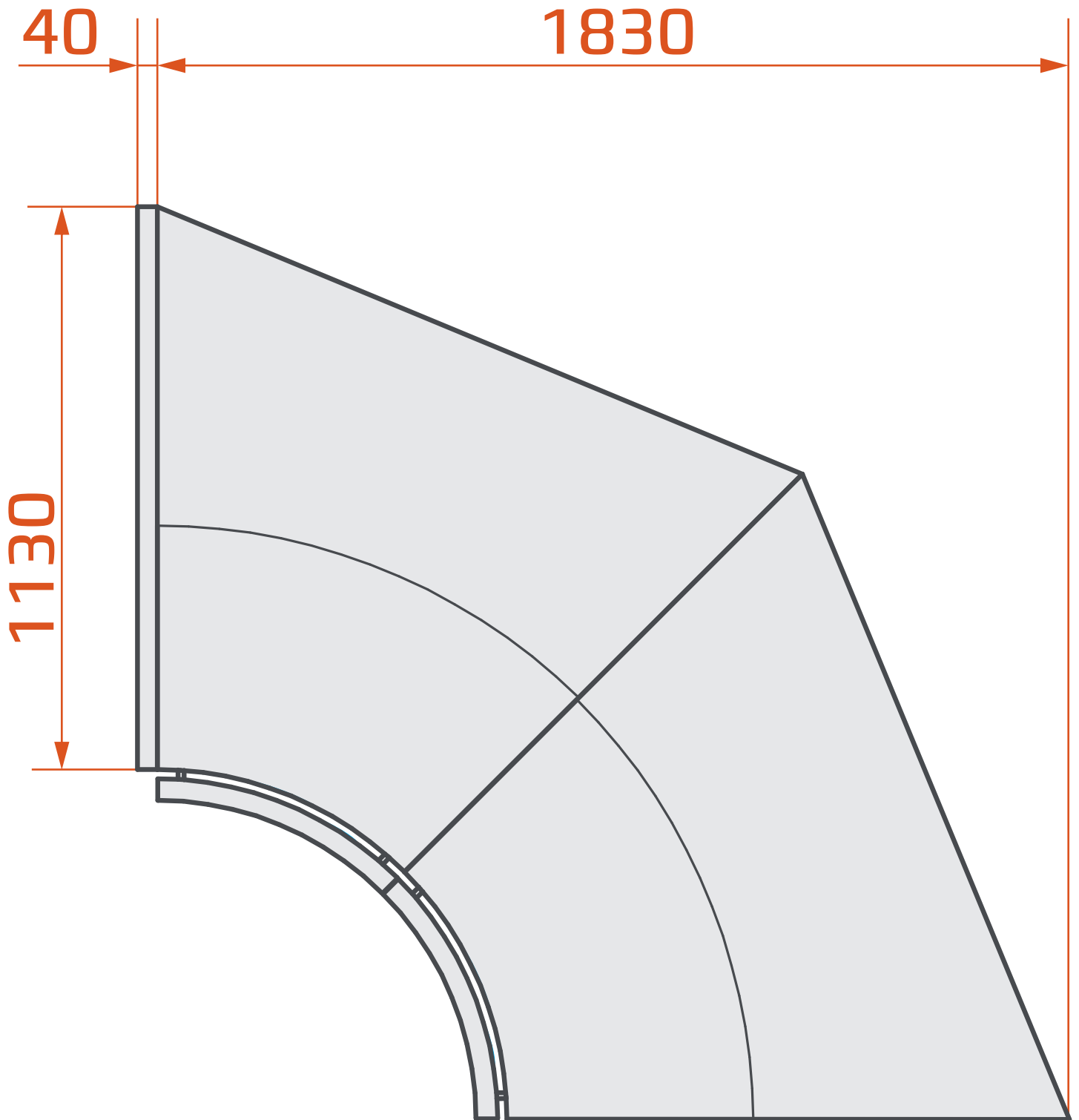
LCT TUCANA SPH EXT 45°



LCT TUCANA SPH INT 45°



LCT TUCANA SPH EXT 2X45°



LCT TUCANA SPH INT 2x45°